

- WLAN, RF SAW Filter
- Revision 1: October 2014

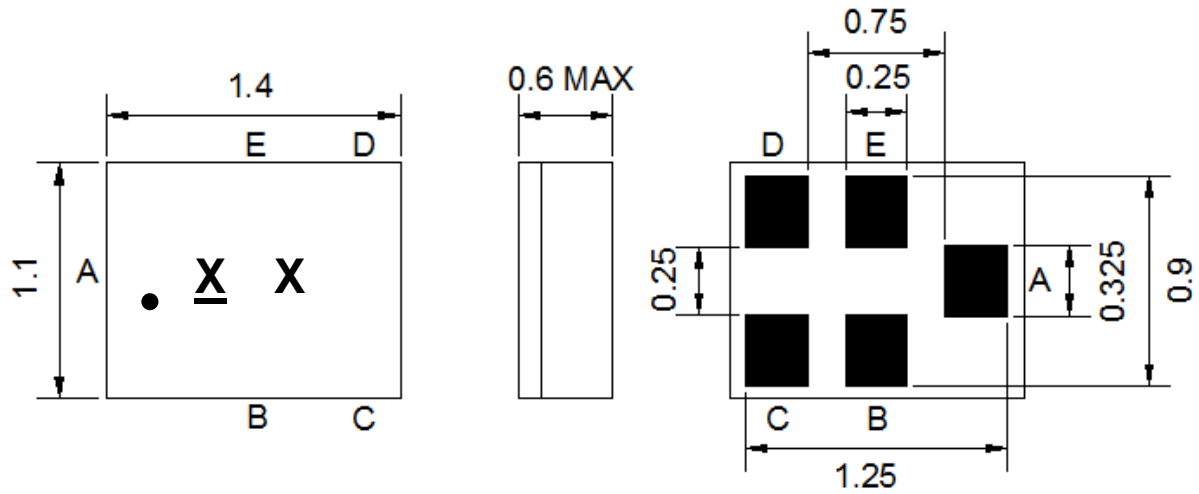
## Electrical Characteristics

MAXIMUM RATING				
PARAMETERS DESCRIPTION	UNIT	MINIMUM	TYPICAL	MAXIMUM
Operating Temperature Range	°C	-30	-	+85
Storage Temperature Range	°C	-40	-	+85
Maximum DC Voltage	V	-	-	0
Maximum Input Power	dBm	-	-	28
Source Impedance (single ended) <sup>(1)</sup>	Ω	-	50	-
Load Impedance (single ended) <sup>(1)</sup>	Ω	-	50	-
Package type & size	C23			
Length x Width	mm <sup>2</sup>	-	1.4 x 1.1	-
Height	mm	-	-	0.6

ELECTRICAL SPECIFICATION				
PARAMETERS DESCRIPTION	UNIT	MINIMUM	TYPICAL	MAXIMUM
Center Frequency (Fo)	MHz	-	2450.0	-
Max. Insertion Loss within 2400.0~2500.0 MHz	dB	-	1.5	2.5
Amplitude Ripple within 2400.0~2500.0 MHz	dB <sub>p-p</sub>	-	0.5	1.5
<b>Attenuation:</b>				
D.C ~ 960.0 MHz	dB	35	52	-
960.0 ~ 1570.0 MHz	dB	35	38	-
1570.0 ~ 1580.0 MHz	dB	35	38	-
1580.0 ~ 1710.0 MHz	dB	30	35	-
1710.0 ~ 1910.0 MHz	dB	27	30	-
1910.0 ~ 1980.0 MHz	dB	27	33	-
2110.0 ~ 2170.0 MHz	dB	30	35	-
2640.0 ~ 3000.0 MHz	dB	25	28	-
3000.0 ~ 4800.0 MHz	dB	25	30	-
4800.0 ~ 5000.0 MHz	dB	25	29	-
5000.0 ~ 6000.0 MHz	dB	20	27	-
VSWR within 2400.0~2500.0 MHz	-	-	1.8	2.3

**Notes:** (1) With Matching Network (Ref. Testing Environment Circuit as shown below).

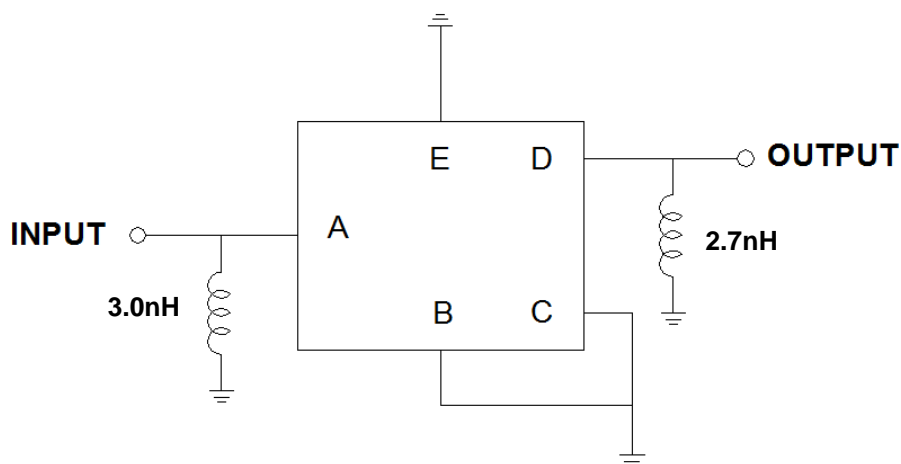
## Package Dimensions



Marking Descriptions	
X	Series Number
X	Date Code (Year+Month)

Pin Description	
B, C, E	Ground
A	Input
D	Output

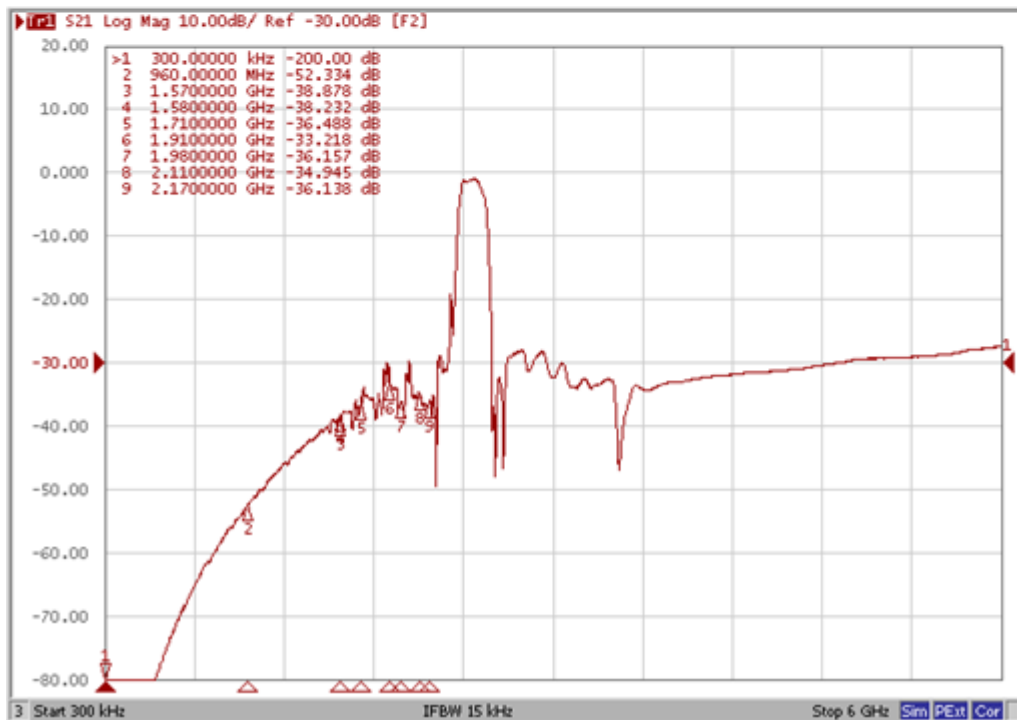
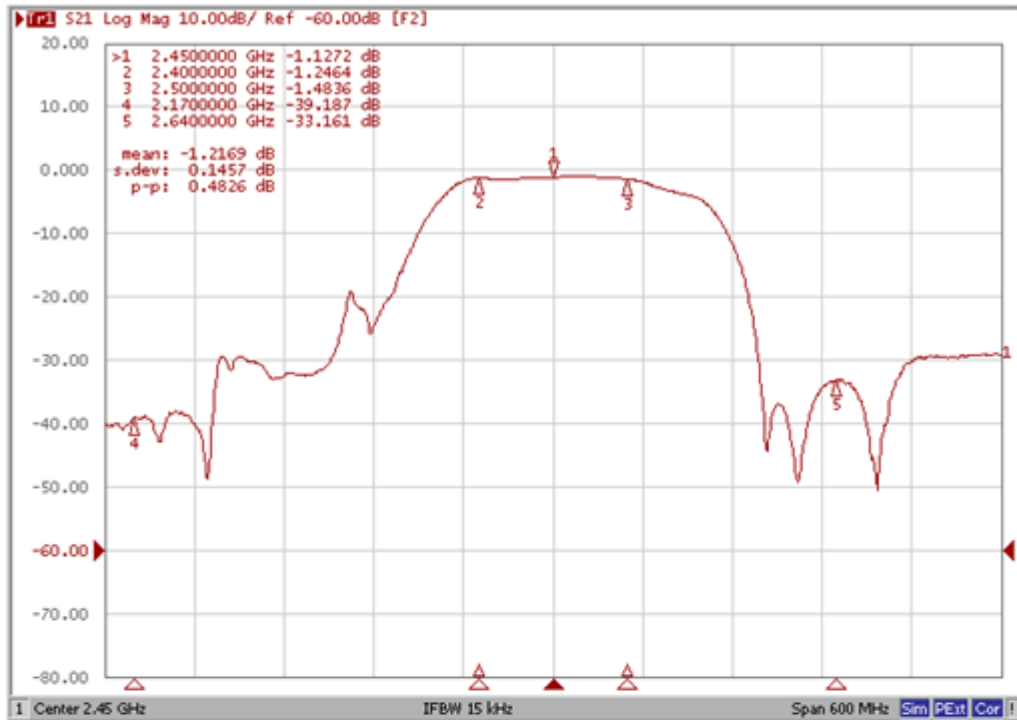
## Testing Environment



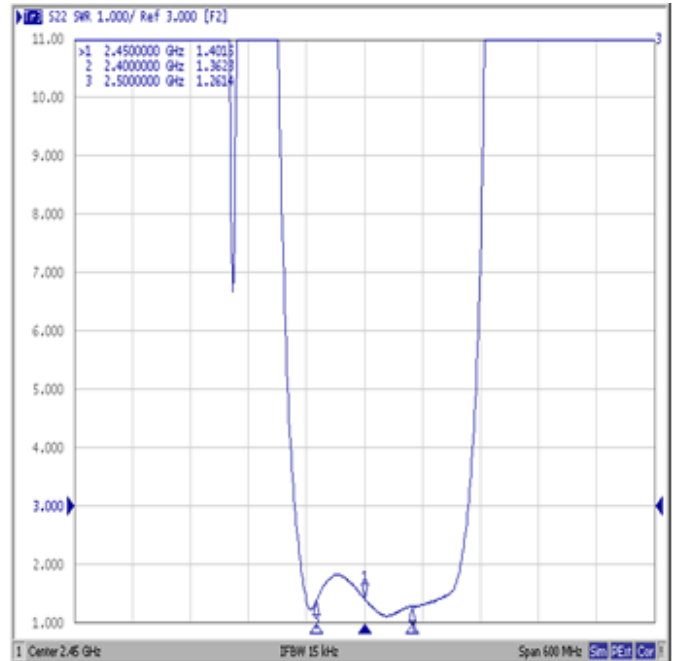
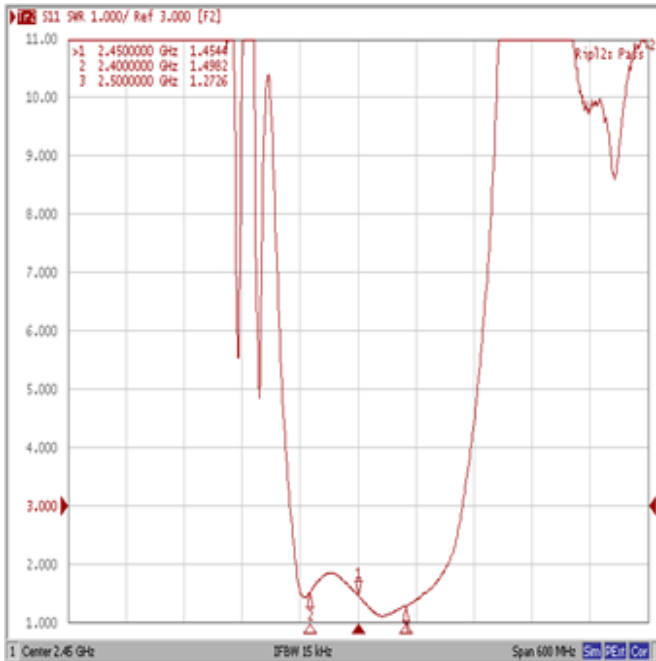
Source & Load Impedance: 50  $\Omega$

## Frequency Characteristics

**Frequency Response**



## VSWR



## Smith Chart

